



تمرین محیط Assembly Design

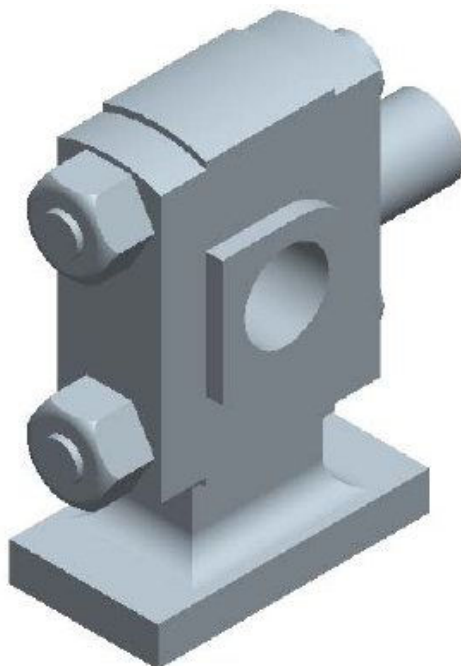


Figure 1 The Crosshead assembly

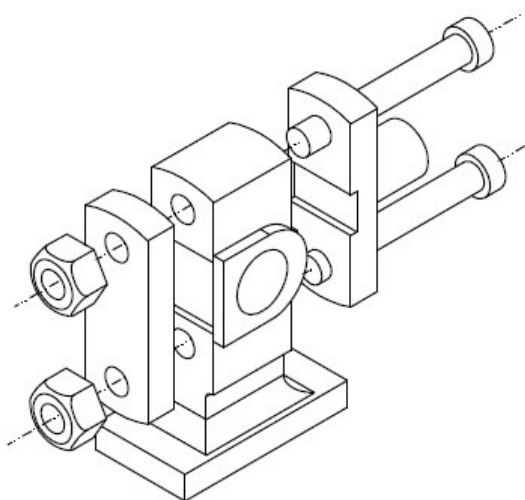


Figure 2 The exploded state of Crosshead assembly

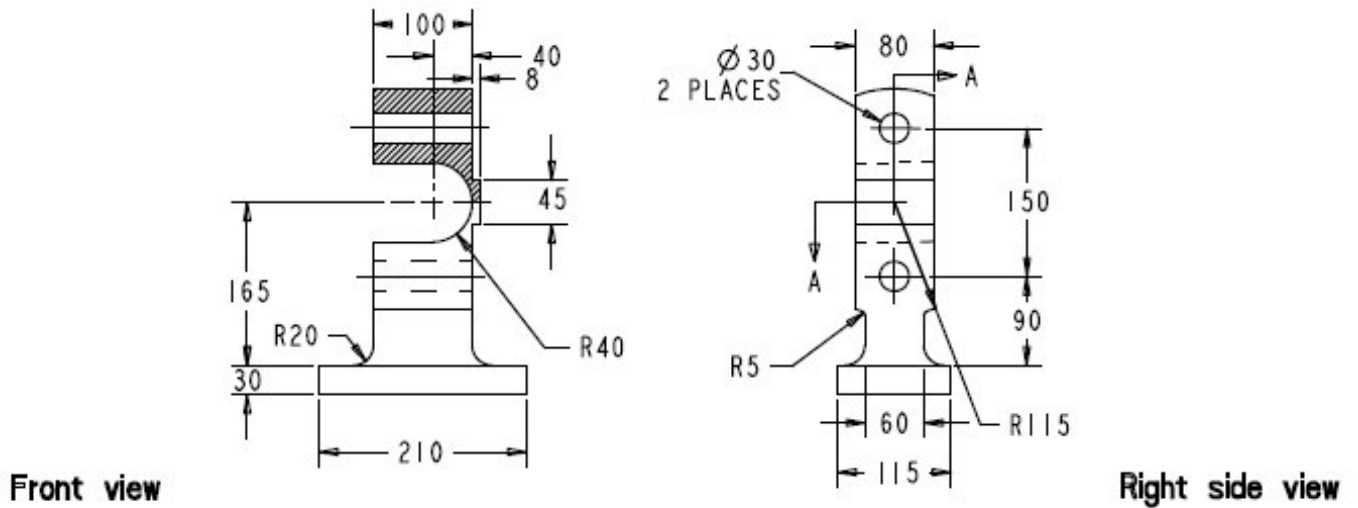


Figure 3 Front view and the right-side view of the Body

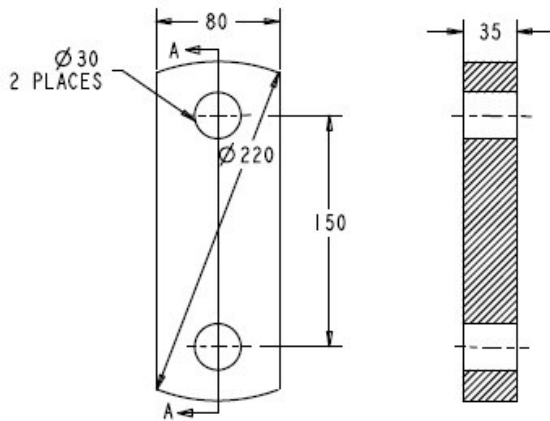


Figure 4 Dimensions of Keep Plate

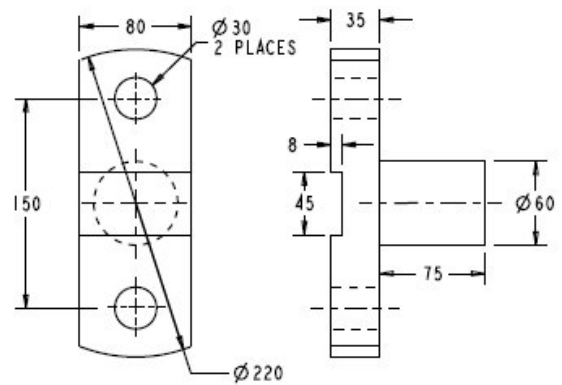


Figure 5 Dimensions of Piston Rod

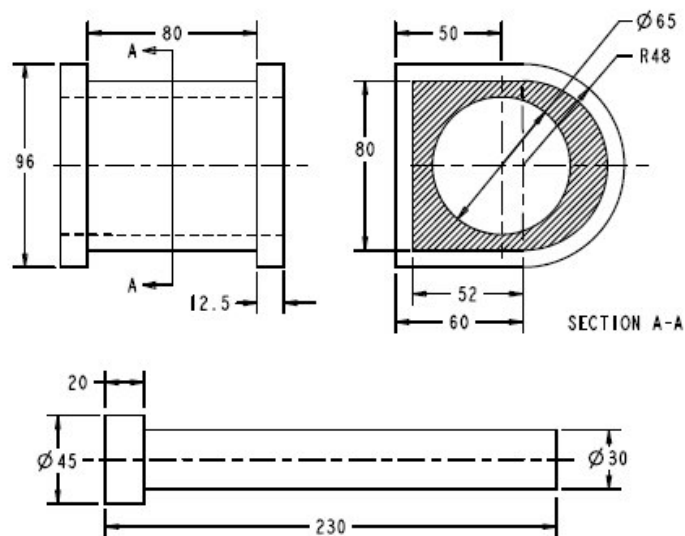


Figure 6 Dimensions of the Brasses and Bolt

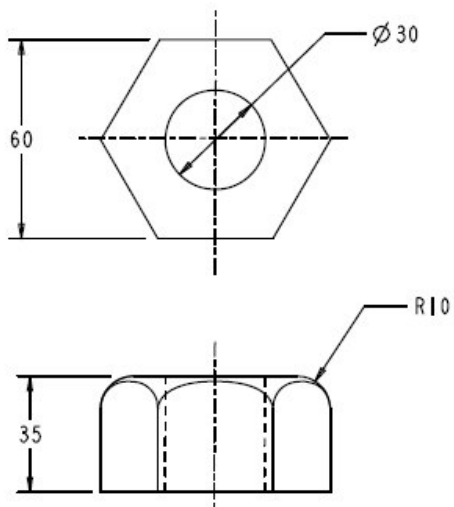


Figure 7 Dimensions of Nut